

GHM Series Technical Catalogue

1.Product Features	B02
2.Introduction of Design	B02
3.Calculations & Formulas	B02
4.Instructions & Advices	B02
5.Ordering Code	B02
6.Technical Performance Parameters & Dimensions	
GHM6-400~800	B03
GHM15-900~1500	B04
GHM28-1600~2800	B05
GHM30-2200~3000	B06



**Hydrostatic balance Motor
with Crankshaft & Connecting-rods**

GHM SERIES HYDRAULIC MOTOR

PRODUCT FEATURES

GHM is the latest innovative series of hydraulic motor medium-high pressure rate specially designed for particular segments injection molding of PET products and vegetable/fruit crate. The all-new design introduces multi-faceted innovations in the motion mechanism and integrated built-in flushing valve block. With more stringent requirements on the foundry and raw material, innovative new material applied in the friction pairs and latest advanced heat treatments introduced, upgraded performance with outstanding price-for-value characteristics becomes reality with the launch of the GHM series.

1. Hydrostatic balance design in the crank surface and the circular arc surface of the connection rod. Optimized lubrication and cooling effect is achieved while the loading force and shock improved on the crankshaft.
2. Due to the reduction of the friction loss and frictional heating, mechanical and start-up efficiency improves, i.e. higher pressure tolerance and stability becomes possible.
3. Critical area and parts of the design involve special material and heat treatments. Upgraded bearing setup and imported trustworthy brand of shaft seal applied guarantee the reliable service life of the motor.
4. Built-in Flushing circuit integrated in the flow distributor, optimized operating environment of the friction pairs and motion parts of the motor
5. Identical mounting dimensions as the traditional NHM series, which offers outstanding flexibility and inter-changeability.

INTRODUCTION OF DESIGN Refer to NHM series Page A02

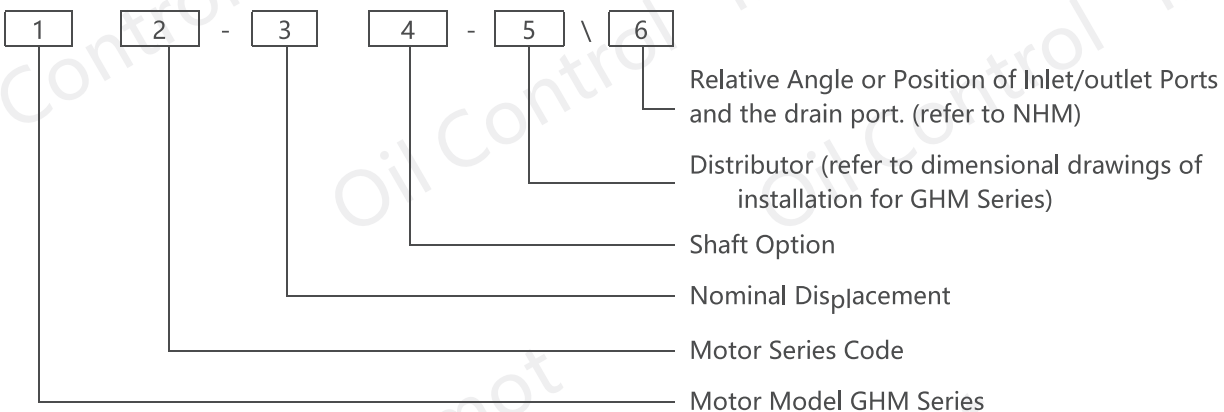
CALCULATIONS & FORMULAS Refer to NHM series Page A02

INSTRUCTIONS & ADVICES

Please refer to the Instructions and advices for NHM Series catalogue (Page A02)

Please note that, with the adoption of Hydrostatic balance design in GHM Series products, an increased level of Inner leakage is normal, however, a drain pipe with a diameter >12mm(>16mm for GHM30 or larger models) shall be properly installed to the drain port to avoid possible shock or damage to the shaft seal. When connecting the drain pipe and the drain port, please double check the depth of thread of the screw to avoid possible interference or damage to the internal parts of the motor.

ORDERING CODE

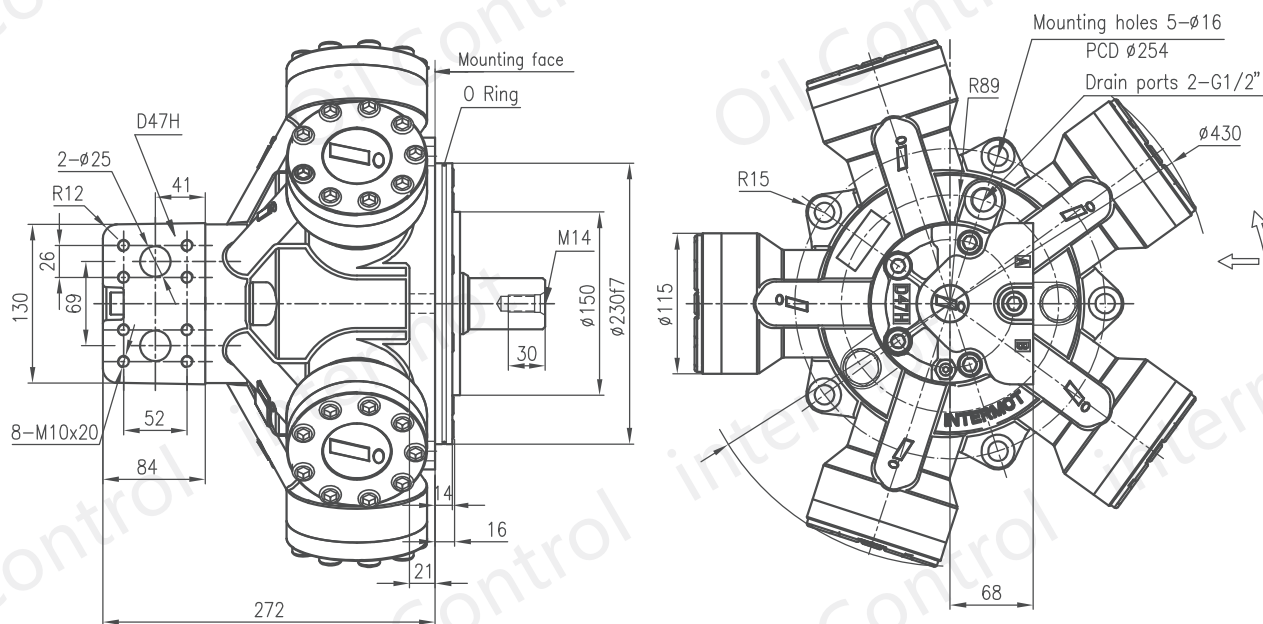


Examples:

GHM15-1200-D47H(G1")\72T represents GHM Series Hydraulic Motor; Displacement: 1200ml/rev; Output shaft: (blank) Standard Splined Shaft; Distributor: D47H(G1") (with built-in Flushing circuit; Relative angle between Inlet/outlet port and Drain port: 72T.

Please refer to the authorized representative or engineer of Intermot to confirm or if you wish to discuss any technical details.

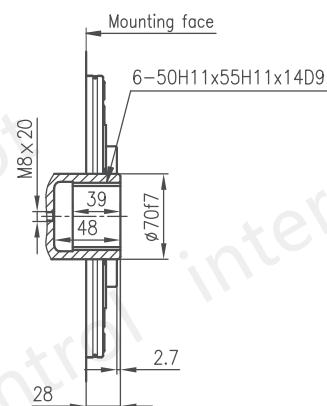
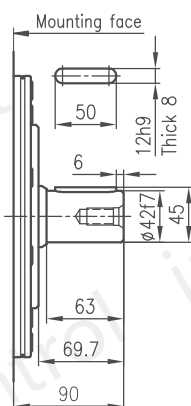
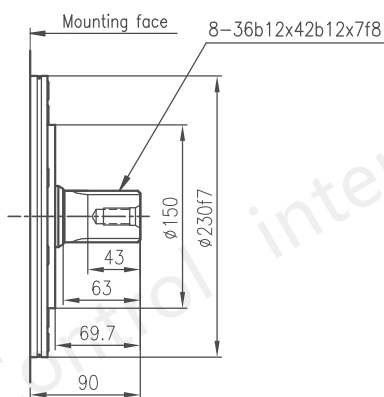
GHM6-400~800 INSTALLATION DIMENSIONS



Standard Spline : GHM6-**

Standard Parallel Key : GHM6-**B

Standard Internal : GHM6-**I

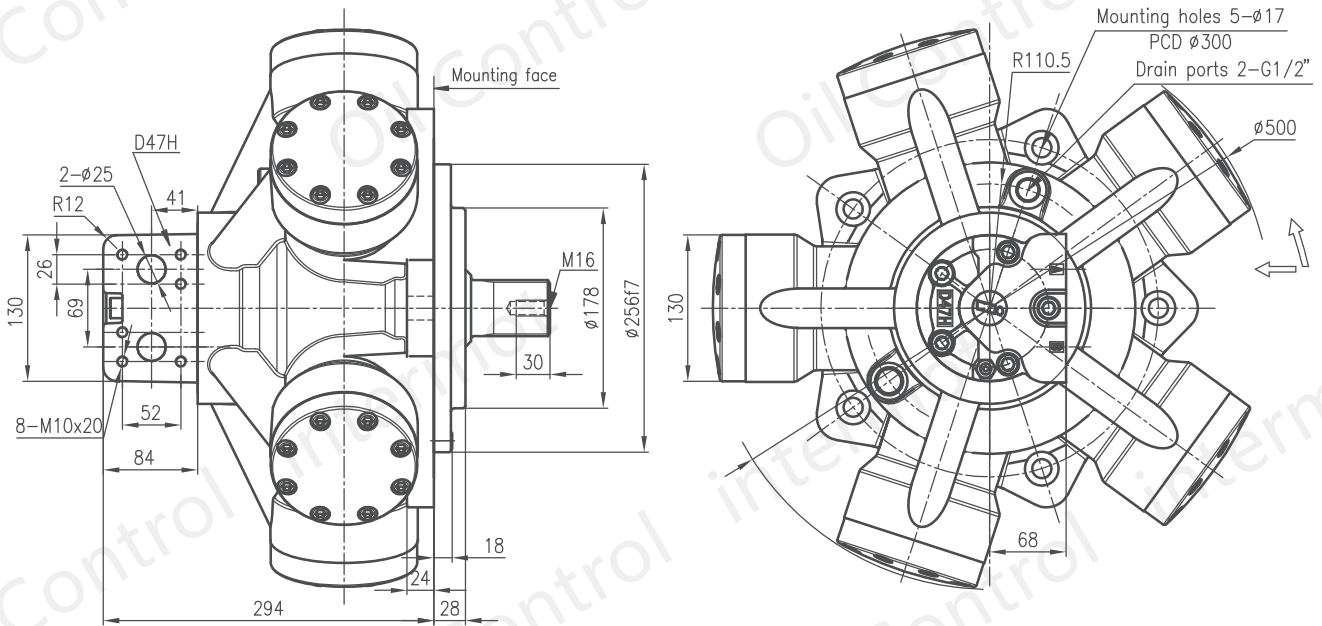


TECHNICAL PERFORMANCE PARAMETERS

Type	Displacement (ml/r)	Rated Pressure (MPa)	Max. Pressure (MPa)	Rated Torque (N.m)	Unit Torque (N.m/MPa)	Speed (r/min)	Weight (kg)
GHM6-400	424	20	25	1254	63	5-450	64
GHM6-500	537	18	22	1429	79	5-420	
GHM6-600	622	18	22	1655	92	5-400	
GHM6-700	707	16	20	1672	104	4-380	
GHM6-800	804	16	20	1902	119	4-320	

The above data are measured and obtained under specific actual experimental conditions, and only for product description purposes. The data should not be interpreted as warranted characteristics in legal term. Ningbo intermot(Ningbo Oil Control Hydraulic Co. Ltd.) reserves the rights to implement modifications without notice. All Partial or total reproduction and copy of such data without formal authorization is strictly forbidden.

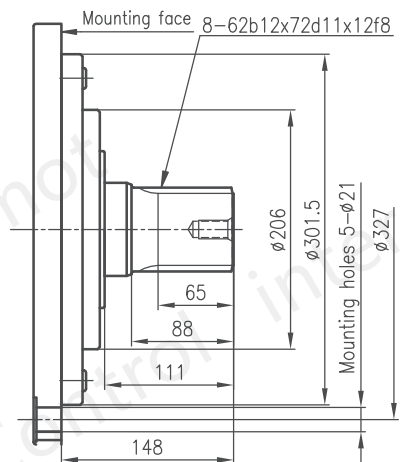
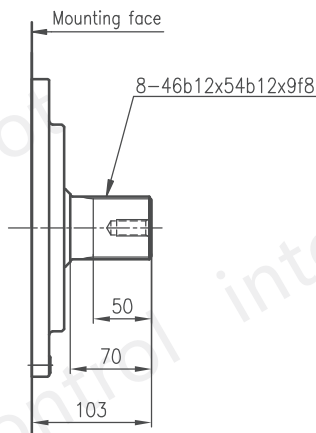
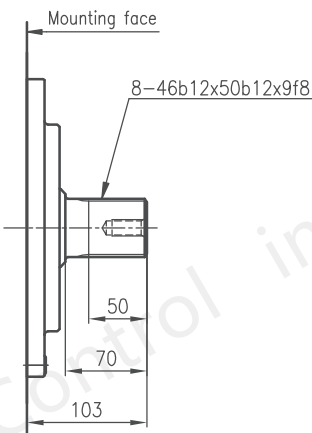
GHM15-900~1500 INSTALLATION DIMENSIONS



Standard Spline : GHM15-**

GHM15-**-A1

GHM15-**-16M

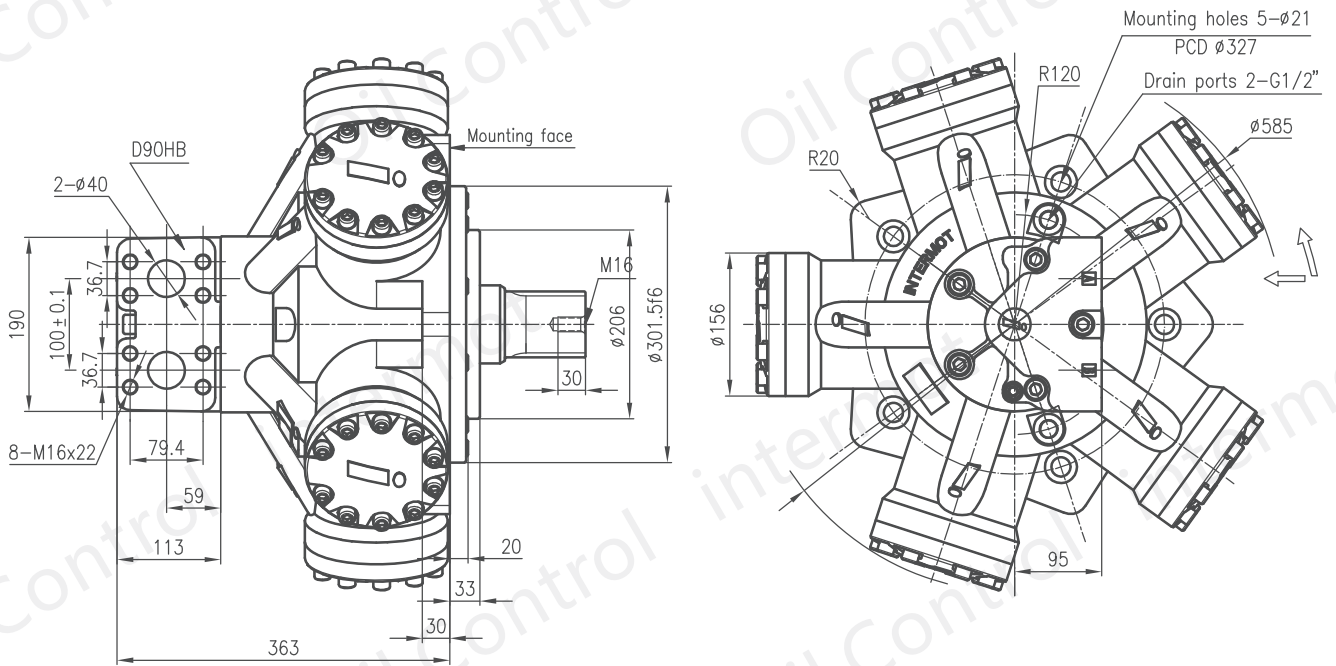


TECHNICAL PERFORMANCE PARAMETERS

Type	Displacement (ml/r)	Rated Pressure (MPa)	Max. Pressure (MPa)	Rated Torque (N.m)	Unit Torque (N.m/MPa)	Speed (r/min)	Weight (kg)
GHM15-900	938	20	25	2774	139	6-350	115
GHM15-1000	1037	20	25	3066	153	6-300	
GHM15-1100	1135	20	25	3358	168	6-300	
GHM15-1200	1234	18	22.5	3285	182	6-280	
GHM15-1300	1333	18	22.5	3548	197	6-270	
GHM15-1400	1432	18	22.5	3810	212	6-260	
GHM15-1500	1530	18	22.5	4073	226	6-250	

The above data are measured and obtained under specific actual experimental conditions, and only for product description purposes. The data should not be interpreted as warranted characteristics in legal term. Ningbo intermot(Ningbo Oil Control Hydraulic Co. Ltd.) reserves the rights to implement modifications without notice. All Partial or total reproduction and copy of such data without formal authorization is strictly forbidden.

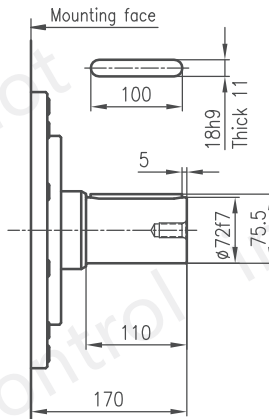
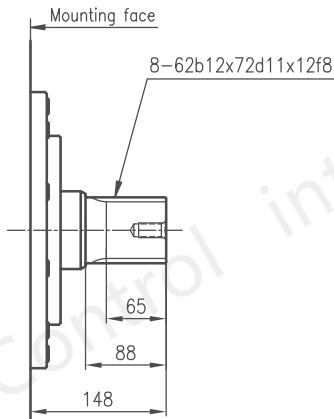
GHM28-1600~2400 INSTALLATION DIMENSIONS



Standard Spline : GHM28-**

Parallel Key : GHM28-**B

GHM28-**FN

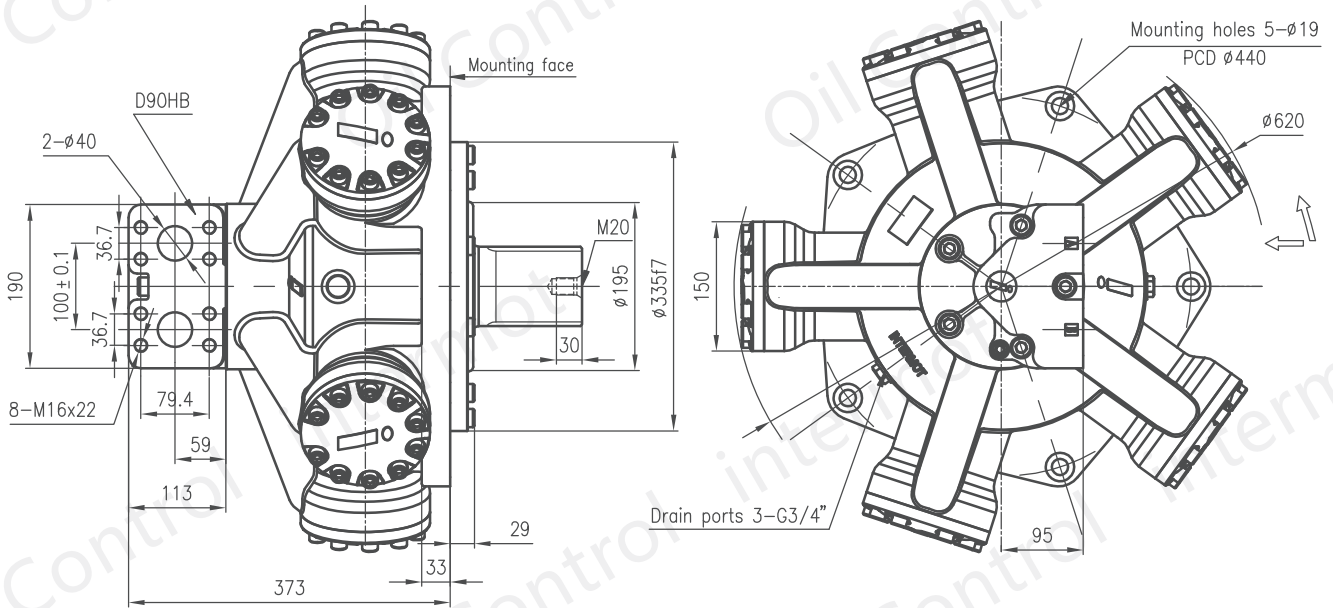


TECHNICAL PERFORMANCE PARAMETERS

Type	Displacement (ml/r)	Rated Pressure (MPa)	Max. Pressure (MPa)	Rated Torque (N.m)	Unit Torque (N.m/MPa)	Speed (r/min)	Weight (kg)
GHM28-1600	1648	20	25	4874	244	4-250	178
GHM28-1800	1815	20	25	5367	268	4-240	
GHM28-2000	1957	18	22.5	5208	289	4-220	
GHM28-2200	2267	18	22.5	6030	335	4-220	
GHM28-2400	2445	18	22.5	6408	356	4-220	

The above data are measured and obtained under specific actual experimental conditions, and only for product description purposes. The data should not be interpreted as warranted characteristics in legal term. Ningbo intermot(Ningbo Oil Control Hydraulic Co. Ltd.) reserves the rights to implement modifications without notice. All Partial or total reproduction and copy of such data without formal authorization is strictly forbidden.

GHM30-2200~3000 INSTALLATION DIMENSIONS



GHM30-**

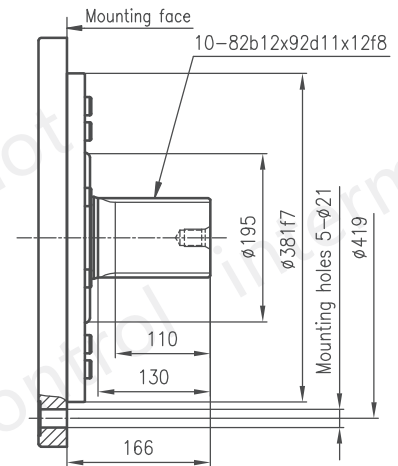
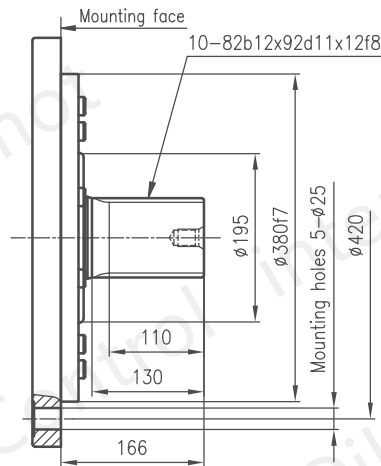
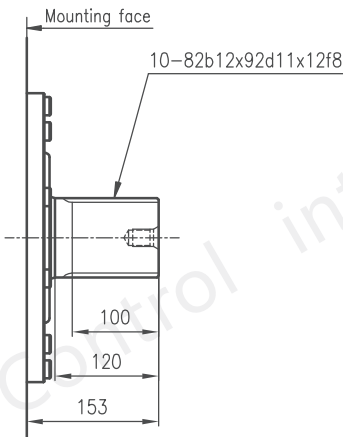
Transfer to MR2400~2800N1

GHM30-**A1

Transfer to NHM31

GHM30-**H6

Transfer to HMB200-P1&IAM-H6-A0



TECHNICAL PERFORMANCE PARAMETERS

Type	Displacement (ml/r)	Rated Pressure (MPa)	Max. Pressure (MPa)	Rated Torque (N.m)	Unit Torque (N.m/MPa)	Speed (r/min)	Weight (kg)
GHM30-2200	2233	18	22.5	5943	330	6-210	220
GHM30-2400	2410	18	22.5	6415	356	6-200	
GHM30-2600	2623	18	22.5	6981	388	6-190	
GHM30-2800	2835	16	22.5	7547	419	6-175	
GHM30-3000	3012	16	22.5	8018	445	6-150	

The above data are measured and obtained under specific actual experimental conditions, and only for product description purposes. The data should not be interpreted as warranted characteristics in legal term. Ningbo intermot(Ningbo Oil Control Hydraulic Co. Ltd.) reserves the rights to implement modifications without notice. All Partial or total reproduction and copy of such data without formal authorization is strictly forbidden.